

EX BEACONS

Xenon, 21 Joule



These certified beacons have been designed for use in harsh environmental conditions.

The flameproof beacons are suitable for Zone 1, 2, 21 & 22 applications and are ideal for general signalling duties whilst their robust construction makes installation in the harshest of environments possible. Additional features include automatic synchronization on multi-beacon systems and stainless steel guard and mounting bracket as standard.

The beacons range features enclosure from corrosion proof, marine grade copper free LM6 aluminium which is phosphated and powder coated. All models have two M20 cable entries, large termination areas and an ingress protection of IP66/67.

- Xenon tubes mechanically secured against shock & vibration
- Large termination area
- Ratchet adjustable stainless steel 'U' bracket
- IP66 and IP67
- Marine grade copper free LM6 Aluminium material
- Glass lens & stainless steel guard
- Lens colours- Amber, Blue, Clear, Green, Red & Yellow
- RAL3000 Red colour

Ex Beacons - Technical Specifications

Material:

Marine grade copper free LM6 Aluminium and Phosphated & powder coated finish- anti-corrosion

Tube: Xenon

Lens: Glass

Sound Output:

Peak candela: 110,780cd

Effective Peak Intensity (lens colour dependant): 485cd

Weight:

AC Models: 2.95kg

DC Models: 2.65kg

Operating Temperature:

-50° C to +70° C

Ingress Protection:

IP66/IP67

Voltage AC:

230Vac

Voltage DC:

48Vdc

Terminals:

0.5 to 4.0mm² cables

Entries:

Dual M20 ISO

Flash Rate: 1HZ, 2HZ & double strike 1HZ

Current Consumption:

230V AC - 280mA

48V DC - 600mA

Certification:

ATEX certificate: KEMA 00ATEX2006

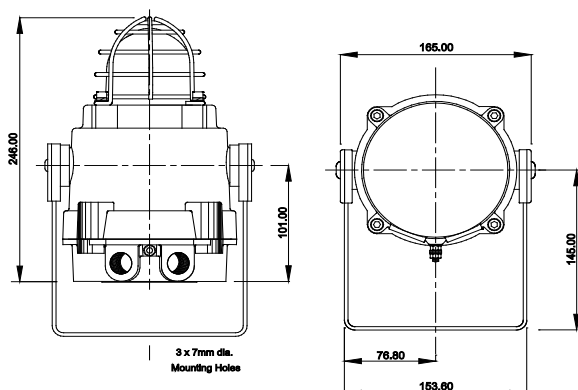
IECEX certificate: IECEX KEM 10.0002

Inmetro certificate: 10-IEEx-0010

GOST-R certificate: POCC

GB.ГБ05.В03365

Dimensions



Order Requirements - Part Numbers

Suitable for use with GAI-Tronics telephones only

Part Number	Voltage	Lens Colour
986-07-1001-001	230V ac	Amber
986-07-1001-002	230V ac	Bluer
986-07-1001-003	230V ac	Clear
986-07-1001-004	230V ac	Green
986-07-1001-005	230V ac	Red
986-07-1001-006	230V ac	Yellow

986-07-1001-011	48V dc	Amber
986-07-1001-012	48V dc	Blue
986-07-1001-013	48V dc	Clear
986-07-1001-014	48V dc	Green
986-07-1001-015	48V dc	red
986-07-1001-016	48V dc	Yellow

986-07-1001-031	115V	Amber
986-07-1001-032	115V	Blue
986-07-1001-033	115V	Clear
986-07-1001-034	115V	Green
986-07-1001-035	115V	Red
986-07-1001-036	115V	Yellow

986-07-1001-021	24Vdc	Amber
986-07-1001-022	24Vdc	Blue
986-07-1001-023	24Vdc	Clear
986-07-1001-024	24Vdc	Green
986-07-1001-025	24Vdc	Red
986-07-1001-026	24Vdc	Yellow

LENS COLOURS: Amber, Blue, Clear, Green, Red and Yellow

www.gai-tronics.co.uk



UK: Tel: +44 (0) 1283 500500
 USA: Tel: +1 (610) 777-1374
 Italy: Tel: +39 02 4860 1460
 Malaysia: Tel: +60-3-8945-4035
 Australia: Tel: +61-28-851-5000

www.gai-tronics.co.uk
www.gai-tronics.com
www.gai-tronics.it
www.gai-tronics.com
www.austdac.com.au

